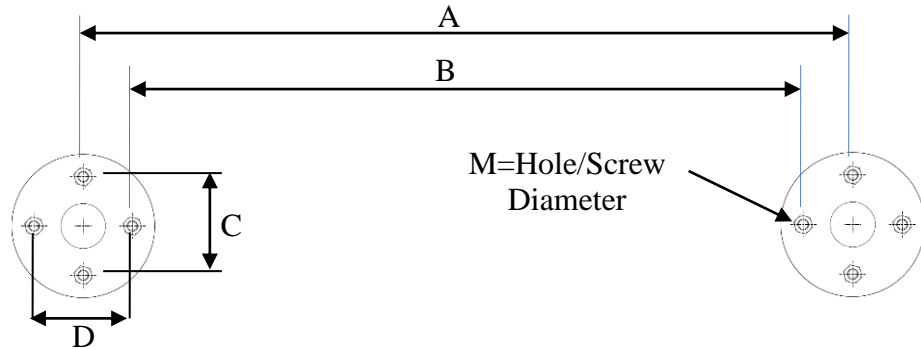


Solar Wing for LAGOON Series

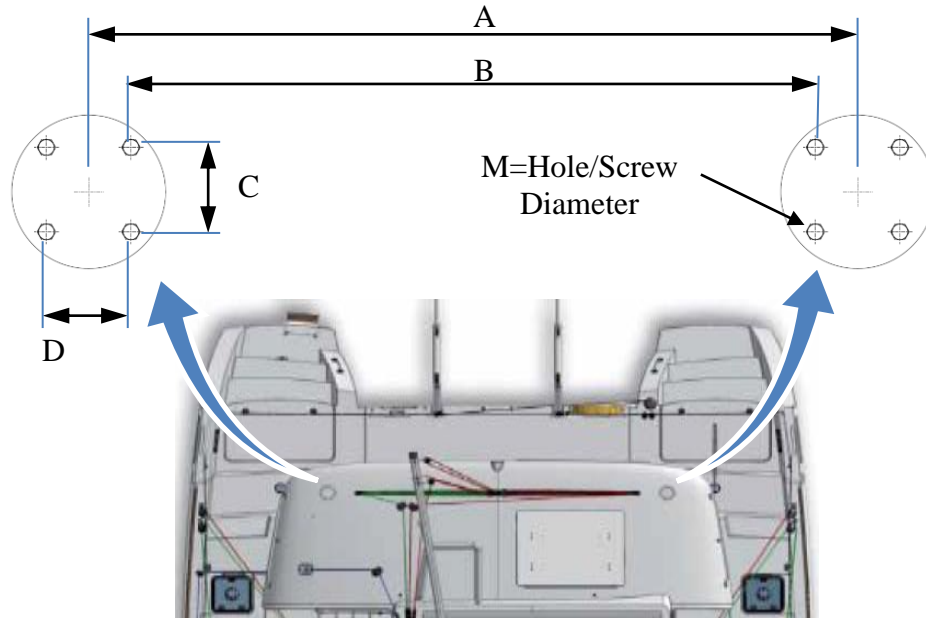
Models 39 - 400 - 400S2 - 450F - 450S - 52S

REQUESTED MEASURES FOR CUSTOMIZATION

VERSION 1



Or
VERSION 2



REQUESTED MEASURES FOR CUSTOMIZATION (NOTE: please attach some pictures of the boat)

LAGOON MODEL _____ SERIAL NBR / YEAR _____

VERSION 1

A = _____ cm

B = _____ cm

C = _____ cm **D** = _____ cm

M = _____ cm

VERSION 2

A = _____ cm

B = _____ cm

C = _____ cm **D** = _____ cm

M = _____ cm

SPECIFIC REQUESTS
